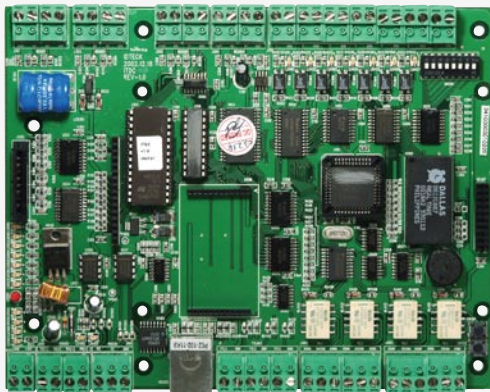




NESS ACCESS CONTROL PRODUCTS



iTDC / iTDC-SR

4 DOOR ACCESS CONTROLLERS

Part No. 101-001 iTDC, 101-145 iTDC-SR

The NESS IDTECK iTDC intelligent 2-4 door access controllers are designed to meet the market requirements for all access control applications.

As either a stand-alone or networked system, iTDC and iTDC-SR, (with SmartCard capability), are the professional's choice of access controllers.



- 2-4 Door Access Control Panel (EIO 8/8 required to control 3 and 4 doors).
- Dynamic control of memory up to 50,000 card holders / 29,500 events.
- 4 Reader ports with 125KHz : 26bit Weigand, 8 bit burst.
- Reader Interface: 13.56MHz (Mifare)
34 bit Weigand (iTDC-SR)
- Standalone or RS232/RS422 (Max 256ch) Network communication.
- TCP/IP Communication (Optional internal TCP/IP LAN module required, 101-124).
- Isolated 7 inputs and 7 outputs including 4 relays (3 TTL outputs).
- Expansion I/O Board available (101-002) EIO88 : 8 Input / 8 Output. (Required to control doors 3&4).
- 15 Time schedules and 10 holiday schedules.
- Antipass back function.
- Optional LCD display and keypad connectable to the control board for standalone operation, manual setting.
- Retains ID & event data and setting value in case of power or communications failure.
- Tamper Switch.
- Duress Mode operation
- Alarm panel interface

The iTDC 4 door controllers are designed for high security, convenience and reliability at a competitive price.

These user-friendly controllers allow you to register up to 50,000 User ID numbers, and stores up to 29,500 events in its memory.

4 reader ports can be connected with Proximity Readers or Proximity + PIN Readers or fingerprint readers. Each reader can have its own operation mode, ether RF only or RF + Password.

Independent 7 alarm contacts can be connected with various devices such as Exit Buttons, Door Contact Sensors, PIR Sensors, Window Breakage Sensors and Fire Sensors to strengthen security.

Input / Output ports can be expanded by adding an Expansion I/O Board. Optional Keypad and LCD Display module can be used to set-up functions manually and programming inputs and outputs.

Using RS422 communication, a network system can be set up, consolidating up to 256 units. All setting values including ID numbers, Inputs/Outputs, Real Time Clock, Time Schedules and all Event Transaction Reports can be downloaded / uploaded from / to the host computer with application software supporting a variety of reporting formats.

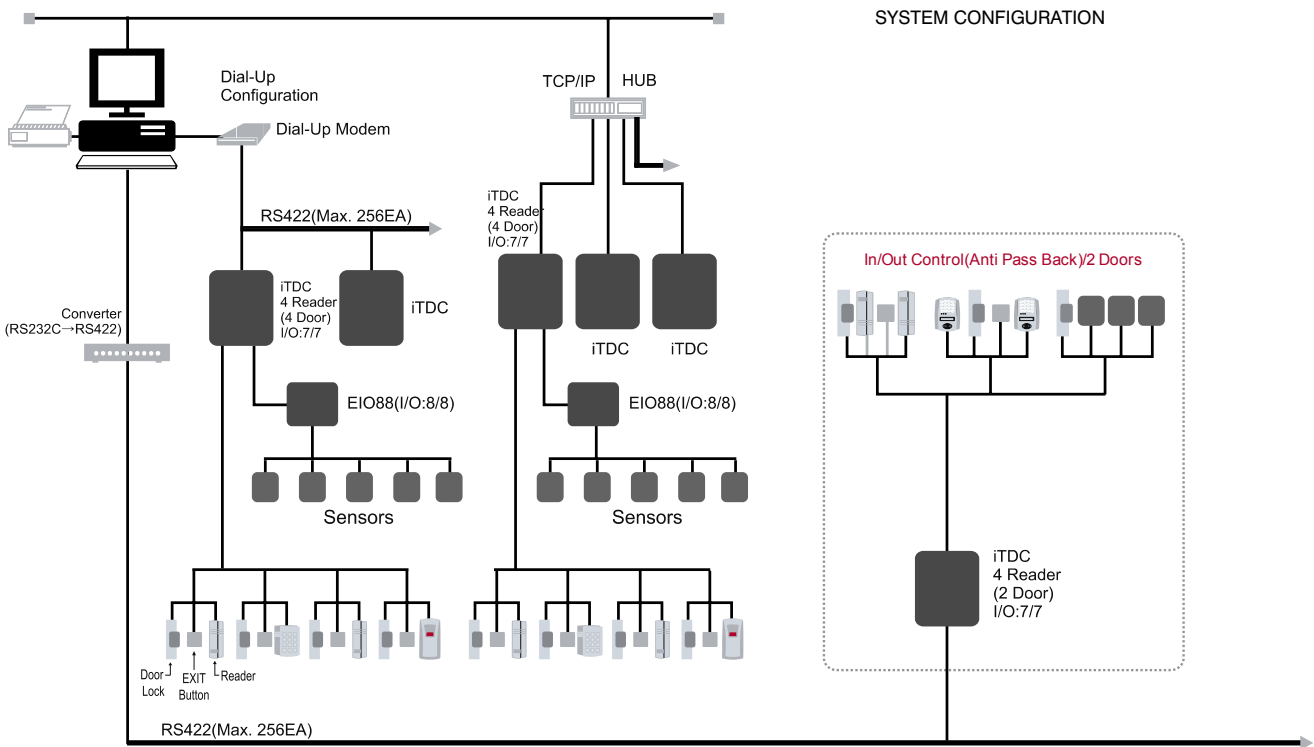
NESS IDTECK iTDC can be installed and managed inside the security zone for additional security.

Experience a high-level security access control system with NESS IDTECK iTDC.



Access Control Products

SPECIFICATIONS	101-001 iTDC 4 DOOR CONTROLLER	101-145 iTDC-SR 4 DOOR CONTROLLER
CPU	Dual 8bit Microprocessor	
MEMORY	Program Memory: 64KByte ROM Data Memory: 512KByte RAM (battery backup)	
CARD HOLDERS / EVENT BUFFERS	User Programmable by 1,000 unit of card holders Card Holders : 1,000 – 50,000 users (Default: 5,000 users) Event Buffers : 20,000 – 29,500 events (Default: 27,500 events)	
EXTERNAL READER PORTS	4 reader ports	
READER DATA FORMAT	Standard 26 bits Wiegand Format, Standard 34 bits Wiegand Format(Applied to iTDC-SR),8 bits burst Format for keypad reader	
INPUTS/OUTPUT	Inputs: 7 (Isolation) Outputs: 4 Form-C relay (Com, NC, NO) rated 3A @12V DC & 3 x TTL outputs	
SELF DIAGNOSTIC	Yes	
RESET	Power on reset and Watchdog timer reset	
COMMUNICATIONS	RS232/RS422 (up to 256 channels) selectable 4800, 9600 (Default), 19200, 38400bps communication speed (software programmable) Optional TCP/IP comms using 101-124 interface	
INDICATORS	21 LED indicators & buzzer	
POWER	DC12V, Max. 350mA	
ENVIRONMENTAL	0°C to +65°C, 10% to 90% RH (Non-condensing)	
WEIGHT	250g	170g
DIMENSIONS	137 x 137 x 18mm	185 x 145 x 18mm
OPTIONAL KEYPAD & LCD MODULE PART NO. 101-003	16 key numeric keypad including LCD module, 2 lines x 16 characters, 65.5 x 13.8mm screen	
OPTIONAL EXPANSION I/O MODULE PART NO. 101-002	8 input ports, 8 relay outputs	
OPTIONAL TCP/IP MODULE PART NO. 101-124	iiM7100A	



www.ness.com.au

© 2004 Ness Security Products Pty Ltd ABN 28 069 984 372
Photographs are used for illustrative purposes only. Design and specifications may vary.



Access Control Products

SYDNEY
02 8825 9222
sales@ness.com.au

MELBOURNE
03 9875 6400
nessmelb@ness.com.au

BRISBANE
07 3399 4910
nessbris@ness.com.au

PERTH
08 9328 2511
nessper@ness.com.au

ADELAIDE
08 8277 7255
aquavia@cobweb.com.au

NZ (NFS SECURITY)
+64 9 573 0401
sales@nfs.co.nz