



NESS ACCESS CONTROL PRODUCTS



RF70 Long Range Reader
Part No. 101-068



IDA150
Active Card
Part No.
101-070



IDA200
Active Card
Part No.
101-071

RF70

125kHz LONG RANGE PROX READER AND ACTIVE TAGS

Long range proximity reader and active tags for indoor or outdoor use. Ideal for vehicle access to car parks, boom gates, roller doors.

Suitable for use with both passive (for short range) and active tags (up to 2.1m range).



RF70 Long Range Proximity Reader

- Reader Range:
Up to 45cm (IDC80 card, 125KHz)
Up to 1.5m (IDA150 card, 125KHz)
Up to 2.1m (IDA200 card, 125KHz)
- User format available
- Wiegand, RS232, ABA Track II magstripe format available
- PSK Modulation
- Dual reading technology - Active and Passive
- The best solution for Access Control and Vehicle Access integration with one card system
- Indoor / Outdoor operation
- No interference with windscreen tint

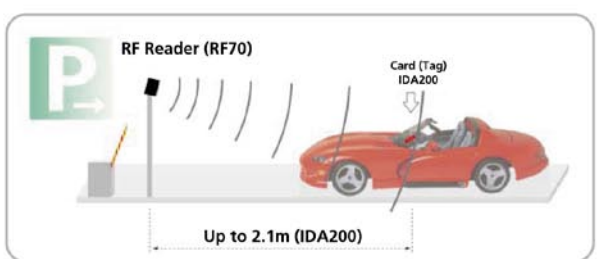
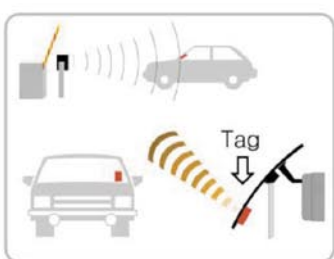
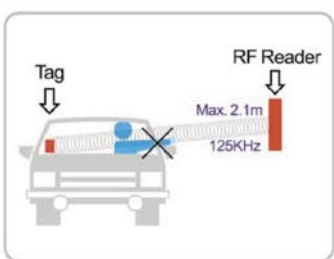
IDA150 / IDA200 Long range proximity cards

- Up to 1.5m read range (IDA150)-RF70
- Up to 2.1m read range (IDA200)-RF70
- Compatible with existing 125KHz RF reader
- User format ID number encoding available
- Various format available
- 3 year battery life (at 10 reads/day)

PRG3000 ACTIVE CARD WRITER

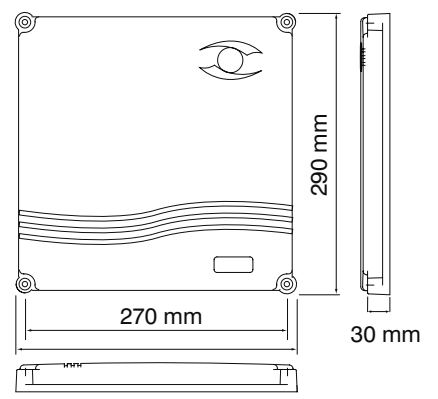
The optional PRG3000 card programming kit allows you to program your own active proximity cards and tags.

- Contactless 125KHz Passive Card Writer
- Writes IDA150 (125kHz), IDA500 (125/311kHz) cards
- Slide-in operation
- Direct connection to PC via RS232
- Free PC software provided
- Cryptograph Algorithm Applied (S/W)
- User defined format available

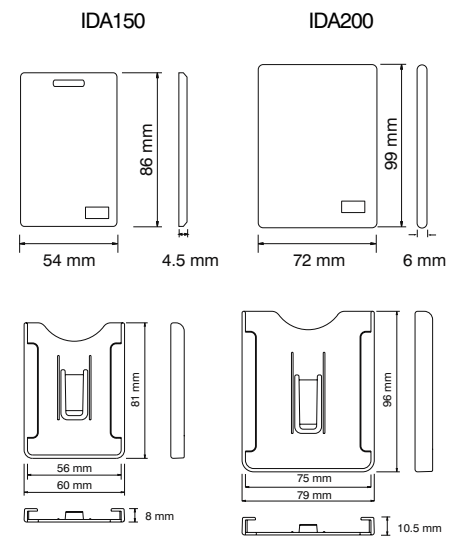




SPECIFICATIONS	101-068 RF70 LONG RANGER READER
READ RANGE IDK50 PASSIVE TAGS IDC170 PASSIVE CARDS IDC80 PASSIVE CARDS IDA150 ACTIVE CARDS IDA200 ACTIVE CARDS	30cm 45cm 45cm 1.5m 2.1m
READING TIME	30ms
INPUT VOLTAGE	12V DC
CURRENT CONSUMPTION	500mA
OUTPUT FORMAT	26bit Weigand, RS232 and ABA Track II magstripe format
EXTERNAL BUZZER CONTROL INPUT	Low active, 0-5V DC, Max. 50mA, Impedance 10K ohm
EXTERNAL LED CONTROL INPUT	Low active, 0-5V DC, Max. 50mA, Impedance 10K ohm
INDICATORS/BEEPER	Bi-colour LED (Red/Green), Piezo buzzer
ENVIRONMENTAL	-35°C to +65°C
WEIGHT	1.4 kg



SPECIFICATIONS	101-070 IDA150 CARDS	101-071 IDA200 CARDS
READ RANGE RF10, RF20, RF-TINY RF30 RF70	Up to 30cm Up to 1m Up to 1.5m	Up to 40cm Up to 1.2m Up to 2.1m
CODING	Compatible with 125kHz PSK type readers	
MATERIAL	Polycarbonate	
OPERATING TEMPERATURE	-35°C to +65°C	
BATTERY LIFE	3 years (at 10 reads/day)	
DIMENSIONS (WxHxT)	54 x 86 x 4.5 mm	72 x 99 x 6 mm
WEIGHT	21g	26g



www.ness.com.au

© 2004 Ness Security Products Pty Ltd ABN 28 069 984 372
Photographs are used for illustrative purposes only. Design and specifications may vary.



SYDNEY
02 8825 9222
sales@ness.com.au

MELBOURNE
03 9875 6400
nessmelb@ness.com.au

BRISBANE
07 3399 4910
nessbris@ness.com.au

PERTH
08 9328 2511
nessper@ness.com.au

ADELAIDE
08 8277 7255
aquavia@cobweb.com.au

NZ (NFS SECURITY)
+64 9 573 0401
sales@nfs.co.nz