

## NESS ACCESS CONTROL PRODUCTS



### FGR006

FINGERPRINT & PROXIMITY READER

Part No. 101-091

### FGR006SRB

FINGERPRINT EMBEDDED SMART (MIFARE) CARD READER

Part No. 101-143



#### 101-091 FGR006

- Proximity and Fingerprint Verification
- Dual Fingerprint registration
- Stores up to 720/2,000/4,500 Fingerprints
- RS232 Comms jack for upload/download fingerprints to PC
- Fingerprint Automatch Identification (Optional)
- Network communication via RS232/RS422/RS485 (Max. 255ch) and TCP/IP (External Converter Required)
- Fast Verification Time less than 1 sec.
- Registration / Verification Mode
- Off-line Add/Delete function using Master Card
- Wiegand, ABA Track II output
- Tamper switch
- HIGH COMPATIBILITY. Compatible with 3rd party controllers, with Ness FGR006 communication software or development kit software

#### 101-143 FGR006SRB

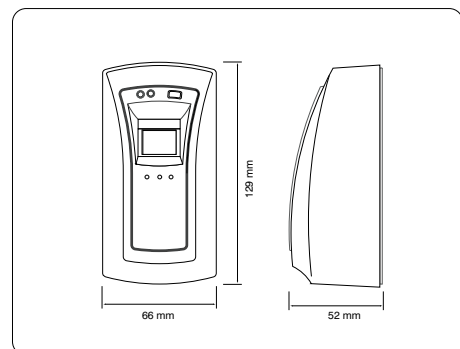
- Built-in Fingerprint and Smart Card Reader (Contactless Mifare)
- 13.56MHz ISO14443 Type-A compatible
- Read Fingerprint Templates directly from the Smart Card
- Unlimited Fingerprint User
- Decode encrypted biometrics data using patented encryption algorithm
- Protected ID and Fingerprint Template copy
- Support PRG2000B Biometrics Programmer with Software
- Tamper Alarm Function
- Fast Verification time less than 1 sec.
- Built-in 2 colour LED and Beeper sound
- 26bit Wiegand, RS232 output format
- Fingerprint Templates are stored on the Smart Card and allows for Portability
- No Database or Template Management
- Secure sign-on Facility
- Flexible Quality Solution to suit any application
- Compatible with SRB format (26bit Wiegand)
- Compatible with PRG2000B kit, iCON100, iTDC

**F**GR006 & FGR006SRB can be connected to any existing access control panel to provide high security fingerprint and proximity card access control.

FGR006/SRB have a built-in proximity reader and fingerprint module so that the access is only allowed when the personal ID (RFID card) and fingerprint are authorized.

The slim modern design allows easy installation (just replace existing reader) to metal door frame (mullion) or to any flat wall surface.

FGR006SRB also provides additional Smartcard (Mifare) capability.



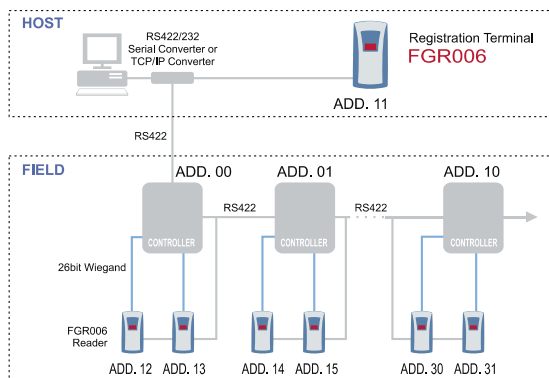
**NESS**

Access Control Products

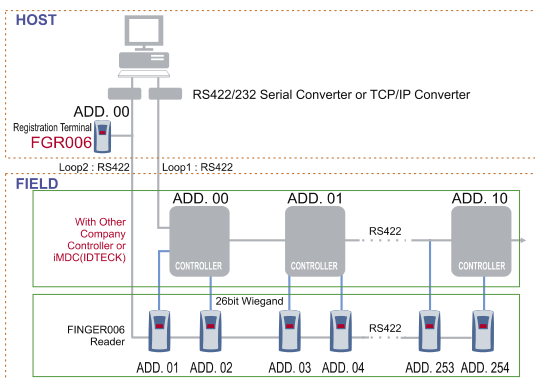
# NESS ACCESS CONTROL PRODUCTS

SPECIFICATIONS	101-091 FGR006	101-143 FGR006SRB
CPU	32bit Strong ARM and Dual 8bit Microprocessor	
MEMORY	Module Program Memory: 8KByte ROM Data Memory: 128KByte/256KByte/512KByte Flash Memory Controller Program Memory: 64 KByte Flash ROM Data Memory: 32KByte Flash Memory	
READ RANGE	IDC50 Fob: 5cm IDC170 Card: 10cm IDC80 Card: 10cm IDA150 Card: 30cm IDA200 Card: 40cm	
FINGERPRINT TEMPLATES	720/2,000/4,500 Fingerprint Templates	
TEMPLATE SIZE	800 Bytes	
VERIFICATION TIME	Less than 1 sec (Less than 3 sec for automatch)	
PROXIMITY READER	Built-in Proximity Reader (125KHz) Mifare Smartcard reader (FGR006SRB)	
OUTPUT	26 bit Wiegand, ABA Track II	26 bit Wiegand, Fingerprint Error output (open collector), Tamper switch output
OPEN CONTROLLER OUTPUT	Fingerprint Verification Error	
INPUTS	LED Control, Beeper Control (RS485, RS232)	
COMMUNICATIONS	Addressable RS485/RS422(Max. 255)/RS232 Port/ TCP/IP (External converter required) Baud Rate : 4800bps, 9600bps(Default), 19200bps and 38400bps	
POWER	DC-12V, Max. 300mA	
ENVIRONMENTAL	Fingerprint module : -15°C to +40°C, 10% to 90% RH(Non-Condensing) RF-Reader : -35°C to +65°C, 10% to 90% RH(Non-Condensing)	
DIMENSIONS	66mm x 129mm x 52mm	

## WITH IDTECK CONTROLLERS



## WITH OTHER CONTROLLERS



[www.ness.com.au](http://www.ness.com.au)

© 2004 Ness Security Products Pty Ltd ABN 28 069 984 372  
Photographs are used for illustrative purposes only. Design and specifications may vary.



Access Control Products

**SYDNEY**  
02 8825 9222  
sales@ness.com.au

**MELBOURNE**  
03 9875 6400  
nessmelb@ness.com.au

**BRISBANE**  
07 3399 4910  
nessbris@ness.com.au

**PERTH**  
08 9328 2511  
nessper@ness.com.au

**ADELAIDE**  
08 8277 7255  
aquavia@cobweb.com.au

**NZ (NFS SECURITY)**  
+64 9 573 0401  
sales@nfs.co.nz