



NESS ACCESS CONTROL PRODUCTS



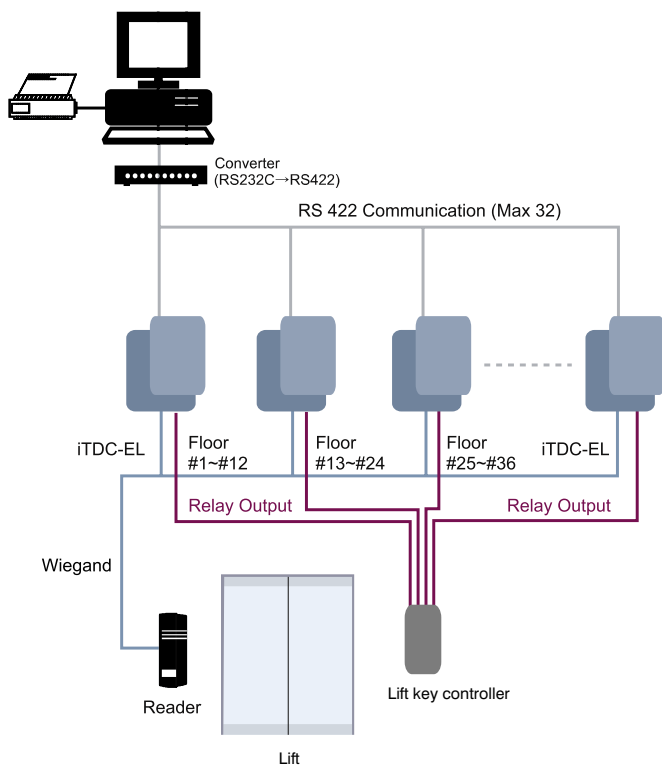
iTDC-EL

LIFT CONTROLLER

Part No. 101-007

The IDTeck ICON100 is an intelligent single door access controller with a powerful 8 bit microprocessor to meet the market requirements for a powerful and cost-effective access controller.

System Configuration



KEY FEATURES

- Control up to 384 floors
- Stand-alone operation or integration with Ness IDTECK access control systems
- 1 reader interface : 26/34 bit Wiegand, 8 bit burst format
- TCP/IP communication (Optional 101-124 TCP/IP module required)
- Optional LCD display and keypad can be used with the control board for stand-alone operation and manual setting
- Accessible floors can be set by each cardholder
- Host computer manages event data
- Retains ID & event data and settings in case of power failure
- Dynamic control of memory up to 50,000 cardholders /up to 20,000 Events

OPTIONAL ACCESSORIES

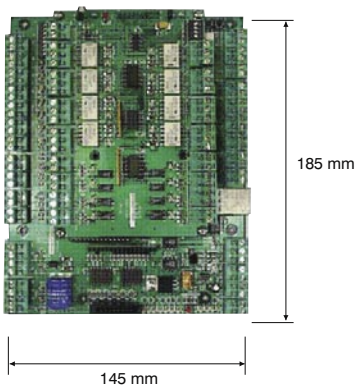
- LCD module, 2 line display, 65.5mm x 13.8mm screen
- 16 key numeric keypad
- 101-124 TCP/IP Module IIM7100A (TCP/IP communication)



NESS ACCESS CONTROL PRODUCTS

SPECIFICATIONS	101-007 iTDC-EL LIFT CONTROLLER
CPU	8bit Microprocessor
MEMORY	Program Memory: 64KByte ROM Data Memory: 512KByte RAM (battery backup)
CARD HOLDERS / EVENT BUFFERS	User defined Card holders and Event buffers (20,000 Card holders/ 20,000 Events, 50,000 Card Holders / 3,000 Events)
EXTERNAL READER PORT	1 reader port (26bit Weigand, 8bit Burst)
FLOOR CONTROL CAPACITY	12 Floors per Controller, Expandable up to 32 Controllers Total 384 Floors (32 Controllers, 1 Loop)
OUTPUT RELAYS	Output : 12 x Form-C relays (Com, NO, NC), Rating 2A
COMMUNICATIONS	RS232/RS422 (max. 256), TCP/IP available with LAN converter (101-122) Baud Rate : 4800bps, 9600bps (Default), 19200bps and 38400bps Software programmable
INDICATORS / BEEPER	21 LEDs / Internal buzzer
POWER	DC12V, Max. 350mA
ENVIRONMENTAL	0°C to +65°C, 10% to 90% RH (Non-condensing)
WEIGHT	375g
DIMENSIONS	185 x 145 x 18mm

DIMENSIONS



www.ness.com.au

© 2004 Ness Security Products Pty Ltd ABN 28 069 984 372
Photographs are used for illustrative purposes only. Design and specifications may vary.



Access Control Products



SYDNEY
02 8825 9222
sales@ness.com.au

MELBOURNE
03 9875 6400
nessmelb@ness.com.au

BRISBANE
07 3399 4910
nessbris@ness.com.au

PERTH
08 9328 2511
nessper@ness.com.au

ADELAIDE
08 8277 7255
aquavia@cobweb.com.au

NZ (NFS SECURITY)
+64 9 573 0401
sales@nfs.co.nz