



ELPRO 10 CEI electronic programmer **SECH 15** keyswitch **TREPU 25** button switch **LAPI 2** - flashing lamp and protection cage **ASTRO 43** rod aerial **DIFO 33** photocells **ASTRO 43 SAW** radio receiver **ASTRO 43/2 TR** transmitter

Technical specifications

ELECTRIC MOTOR

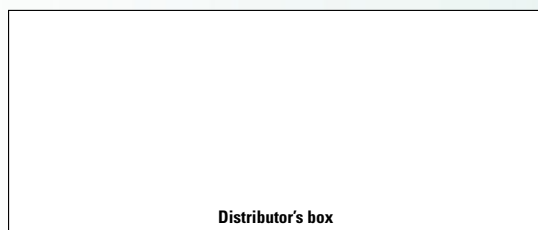
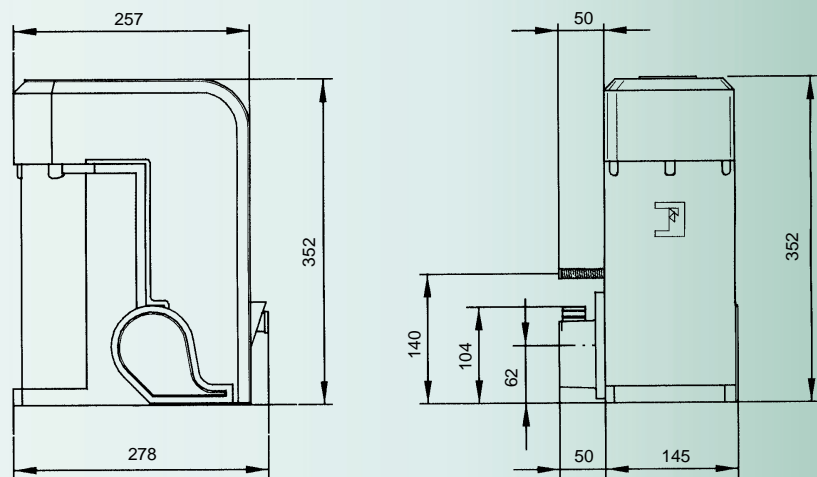
	Single-phase	Three-phase	Single-phase	Three-phase
Power output	0.37 KW (0.5 HP)	0.37 KW (0.5 HP)	0.73 KW (1 CV)	0.73 KW (1 CV)
Supply voltage / Frequency	230 V - 50 Hz	230/400 V - 50 Hz	230 V - 50 Hz	230/400 V - 50 Hz
Absorbed power	600 W	575 W	1'130 W	1'030 W
Absorbed current	3.2 A	2.1/1.2 A	5.7 A	3.7/2.2 A
Motor rotation speed	1'350 rpm	1'350 rpm	1'350 rpm	1'400 rpm
Capacitor	30 µF	30 µF	40 µF	40 µF
Intermittent service	S 5	S 5	S 5	S 5

OPERATOR

	Single-phase	Three-phase	Single-phase	Three-phase
Max torque	37.5 Nm	39 Nm	75 Nm	78.5 Nm
Gear ratio	1/32			
Travelling speed	9.5 m/min			
Working temperature	-20°C +80°C			
Oil type	Agip Rotra THT - W 80 - Kg 0.22			
Max. gate weight	500 Kg	550 Kg	800 Kg	850 Kg
Weight of Nyota 115	18.5 Kg	18 Kg	20 Kg	19.5 Kg
Protection standard	IP 557			
Duty cycle	25 sec. Open - 30 sec. Dwell - 25 sec. Close			
Time of one complete cycle	80 sec.			
Complete cycles Open - Dwell - Close	No. 45/hour			
Cycles a year, 8 hours a day	No. 131'000			

WARNINGS

- Dispose properly of packaging materials (cardboard, polystyrene, nylon) through specialized companies.
- All the electrical equipment must be properly earthed.



Distributor's box

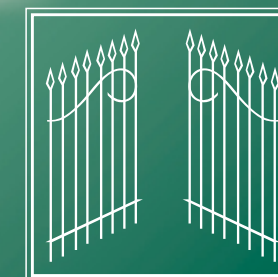
The manufacturers reserve the right to change the products without any previous notice

CE EUROPEAN MARK CERTIFYING CONFORMITY TO THE ESSENTIAL REQUIREMENTS OF THE STANDARDS 98/37 EC

- DECLARATION OF CONFORMITY
- GENERAL WARNINGS
- UNI 8612 STANDARDS
- CEI EN 60204-1 STANDARDS
- WARRANTY CERTIFICATE ON THE CUSTOMER'S REQUEST

The "CE" mark certifies that the operator conforms to the essential requirements of the European Directive art. 10 EEC 73/23, in relation to the manufacturer's declaration for the supplied items, in compliance with the body of the regulations ISO 9000=UNI EN 29000. Automation in conformity to UNI 8612 safety standard. The growth of MECCANICA FADINI has always been based on the development of guaranteed products thanks to our "TOTAL QUALITY CONTROL" system which ensures constant quality standards, updated knowledge of the European Standards and compliance with their requirements, in view of an ever increasing process of improvement.

- Electro-mechanical
- Sliding gate operator



FADINI
the gate opener



AUTOMATIC GATE MANUFACTURERS

Via Mantova, 177/A - 37053 Cerea (Verona) Italy - Tel. 0442 330422 r.a. - Fax 0442 331054 - e-mail: info@fadini.net - www.fadini.net

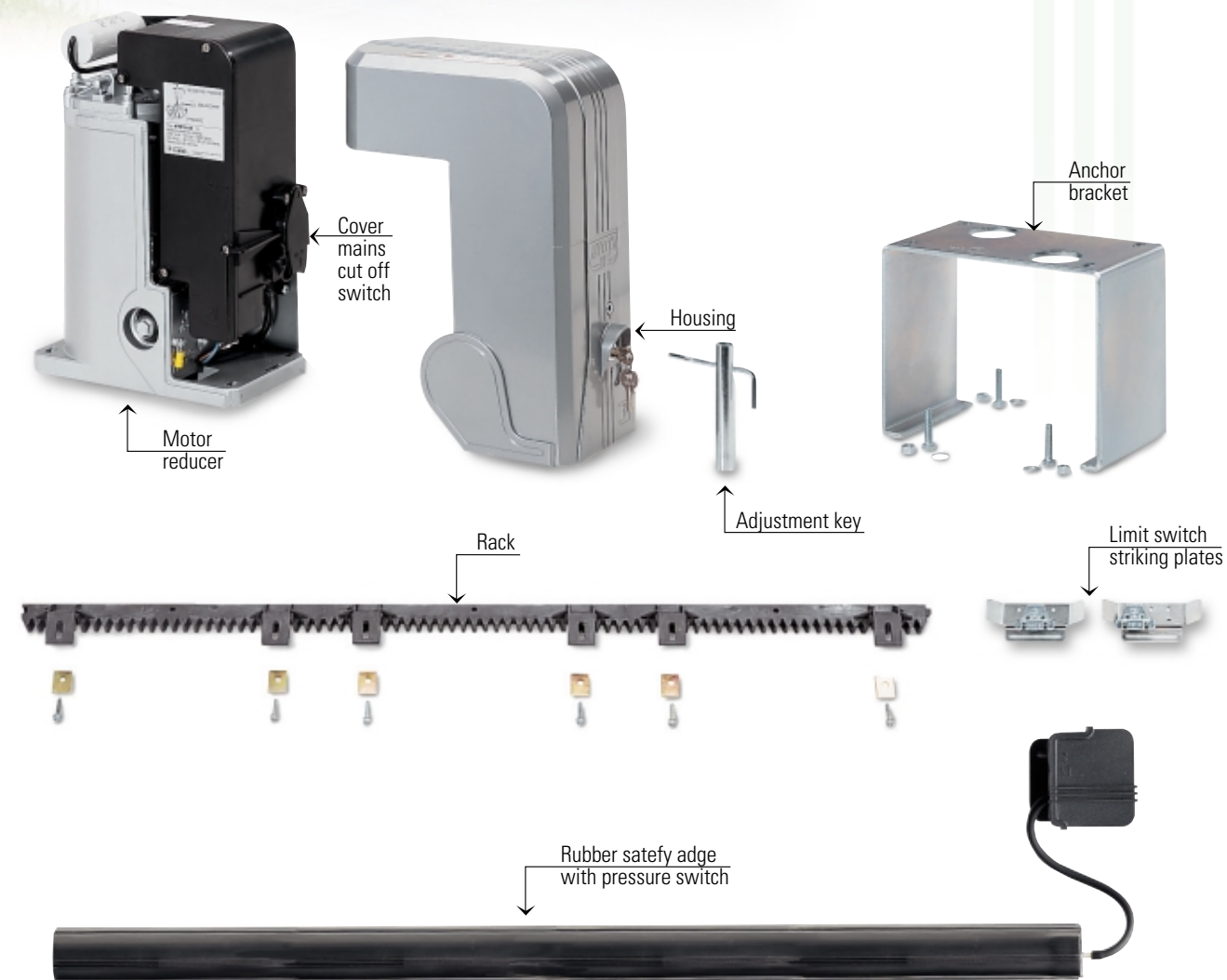
Electro-mechanical sliding gate operator

NYOTA 115, an electro-mechanical operator, has been designed so that it can suit any structure of sliding gates. Its design, compact and stylish, allows to enclose in its inside all accident prevention devices in conformity with UNI 8612 regulations, i.e.: steady lock braking action in stop position - manual self-controlled emergency release - switch under the housing to cut off operative logic circuit - line switch incorporated in the control box - built in end stop limit switches operated by normally closed mechanical contact. Besides, a coded lock is supplied on customers' request to have access to emergency release. Thanks to its structure out of a single piece of die cast aluminium, to its parts of special steel and bronze, and to bearings in oil bath, it can stand changes in temperature between -30°C and $+80^{\circ}\text{C}$. The electric motor is made of special materials and designed on the basis of an advanced technology allowing the construction of a braking device built into the motor itself, so that the drive shaft is coupled to the clutch made of lamellate disks that are adjustable from outside. This device allows us to obtain the pair limit control as prescribed by UNI 8612 regulations. Clutch unit and brake device are patented and constructed by Meccanica Fadini that has achieved, in this way, a first class, long lasting operator.

The patented, manual release complete with safety device is next to the drive shaft and in case of power failure, makes the gear run idle. All operations can be remote controlled through a coded radio and an electronic programmer inserted into a container under the housing. Nyota 115 comes in two models



of different horse power: 0,5 HP and 1,0 HP single-phase. It is equipped with various accessories such as an anchor bracket to fix the motor to the ground, 2 end stop plates, a box wrench to adjust clutch and manual release and to unlock the housing. Nyota 115 is the result of the experience gained by Meccanica Fadini in the design and construction of more and more advanced automatic systems. A firm whose prestige is a synonym for leading construction perfection in the field of remote controlled gate openers.



- (A) Installation of the operator
- (B) Details of the operator
- (C) Detail: lock with key
- (D) Detail: lock with key

